

# STATIC OVEN / 1 DOOR

# TORINO

RIF. COD. **TN** FL 160



**M.A.M. s.r.l.**  
Via C. Angiolieri, 28-34  
41123 Modena (Italy)  
Tel. +39 059 330219  
mam@mamforni.it  
P. IVA 02170610360

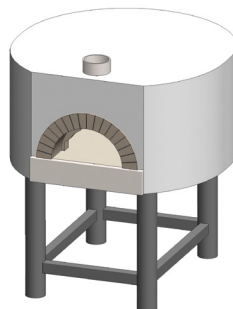


[www.mamforni.it](http://www.mamforni.it)

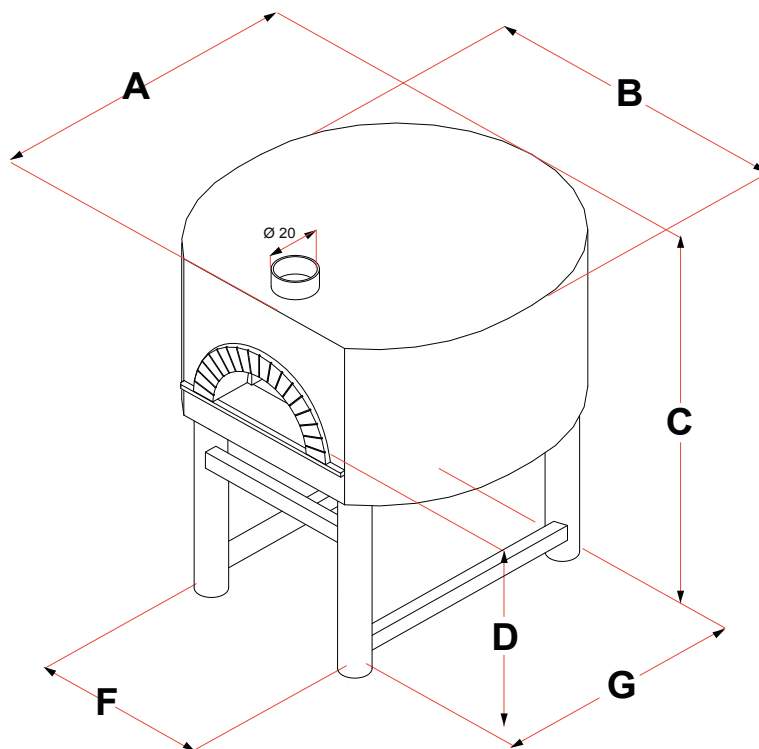
## TECHNICAL CHARACTERISTICS

MODEL	UM	Ø 160
Height of the cooktop	cm	120
Door width	cm	54/68
Total weight (basic finish)	Kg	2000
Pizza capacity	n.	13 - 15

Minimum flue dimensions: Ø 20 cm



DIMENSIONS	UM	Ø 160
A - DEPTH	cm	200
B - WIDTH	cm	200
C - HEIGHT	cm	200
D	cm	120
F	cm	115
G	cm	149



## WOOD DATA

Minimum distance from the combustible material	Contact
CO emission produced during combustion	0,48 %
Combustion fume temperature	305° C
Thermic outlet used (heating)	11,5 Kw
Energy efficiency	66,7 %
Fuel typer	Wood logs
CO** (mg/Nm <sup>3</sup> )	5848
Powders** (mg/Nm <sup>3</sup> )	248

MADE IN ITALY **CE** 05

Prefabricated wood-fired oven  
1935/2004 - 2001/95/CE

\*\* values corrected to 10% of O<sub>2</sub>

