

STATIC OVEN / 1 DOOR

ROMA

EASY RIF. COD. **E** FLE 170x140



M.A.M. s.r.l.
Via C. Angiolieri, 28-34
41123 Modena (Italy)
Tel. +39 059 330219
mam@mamforni.it
P. IVA 02170610360



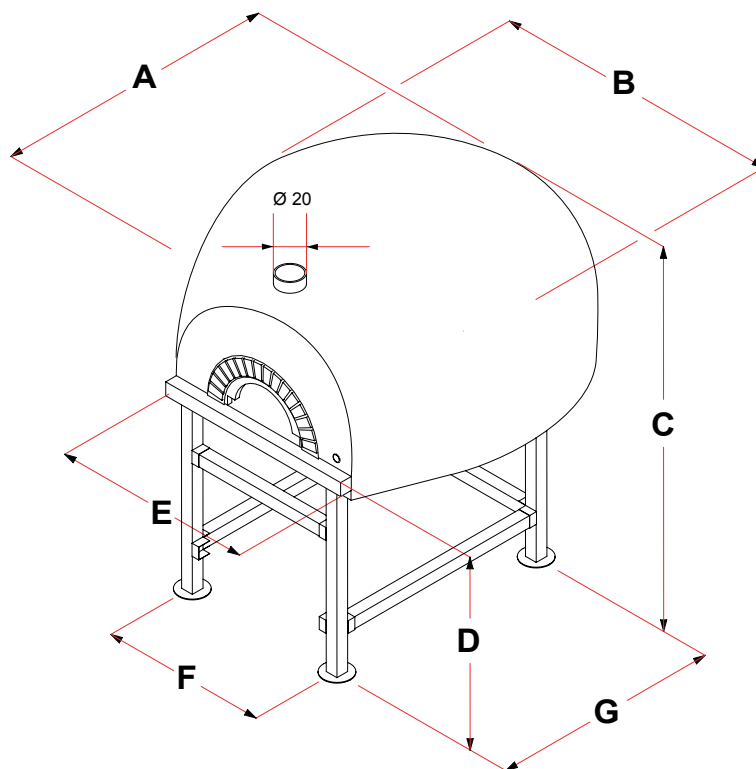
www.mamforni.it

TECHNICAL CHARACTERISTICS

MODEL	UM	Ø 170x140
Height of the cooktop	cm	120
Door width	cm	54/68/82
Total weight (basic finish)	Kg	1300
Pizza capacity	n.	13 - 14

Minimum flue dimensions: Ø 20 cm

DIMENSIONS	UM	170x170
A - DEPTH	cm	205
B - WIDTH	cm	172
C - HEIGHT	cm	190
D	cm	120
E	cm	112
F	cm	94
G	cm	135
External band projection over the feet of the oven	cm	13



WOOD DATA

Minimum distance from the combustible material	Contact
CO emission produced during combustion	0,48 %
Combustion fume temperature	305° C
Thermic outlet used (heating)	11,5 Kw
Energy efficiency	66,7 %
Fuel typer	Wood logs
CO** (mg/Nm ³)	5848
Powders** (mg/Nm ³)	248

MADE IN ITALY **CE** 05

Prefabricated wood-fired oven
1935/2004 -2001/95/CE

** values corrected to 10% of O₂

