

ROTATING OVEN / 2 DOORS

ROMA

RIF. COD. **R2** MF3RG/C 180



M.A.M. s.r.l.
Via C. Angiolieri, 28-34
41123 Modena (Italy)
Tel. +39 059 330219
mam@mamforni.it
P. IVA 02170610360



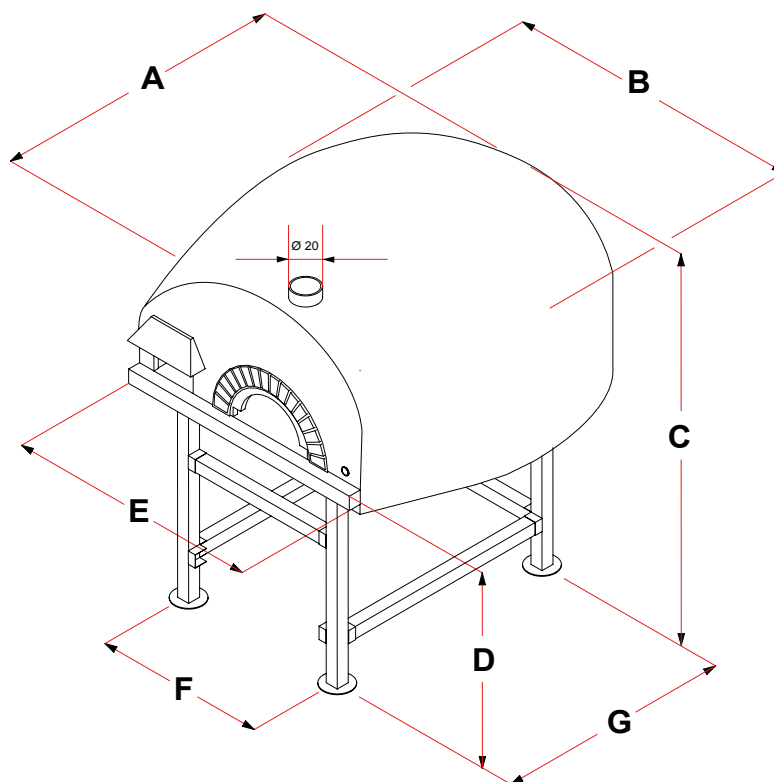
www.mamforni.it

TECHNICAL CHARACTERISTICS

| MODEL | UM | Ø 145 |
|----------------------------------|------------|------------------|
| Height of the cooktop | cm | 120 |
| Rotating cooktop | cm | Ø 145 |
| Door width | cm | 54/68 / 82 |
| Power consumption | Kw Volt | 0,36 220 |
| Total weight (basic finish) | Kg | 2200 |
| Doors | n. | 2 |
| Pizza capacity | n. | 13 - 15 |
| Fire hand side | | Left or Right |
| Under-floor burner | | O |
| Minimum flue dimensions: Ø 20 cm | | |

| DIMENSIONS | UM | Ø 145 |
|--|----|-------|
| A - DEPTH | cm | 205 |
| B - WIDTH | cm | 220 |
| C - HEIGHT | cm | 200 |
| D | cm | 120 |
| E | cm | 190 |
| F | cm | 115 |
| G | cm | 149 |
| External band projection over the feet of the oven | cm | 15 |

| GAS THERMAL DATA | UM | Ø 145 |
|-------------------------|------|----------|
| Thermal power | Kw | 34 |
| LPG consumption | Kg/h | 2,681 |
| Natural Gas consumption | m³/h | 3,598 |
| Smoke temperature | °C | 200 |
| Flue gas draught | Pa | 12 |
| Gas Connection | in | 1/2 |
| Type of Construction | | A1-B11BS |
| Electricity consumption | W | 100 |



| WOOD DATA | |
|--|-----------|
| Minimum distance from the combustible material | Contact |
| CO emission produced during combustion | 0,48 % |
| Combustion fume temperature | 305° C |
| Thermic outlet used (heating) | 11,5 Kw |
| Energy efficiency | 66,7 % |
| Fuel typer | Wood logs |
| CO** (mg/Nm³) | 5848 |
| Powders** (mg/Nm³) | 248 |

MADE IN ITALY 05

Prefabricated wood-fired oven
1935/2004 - 2001/95/CE

** values corrected to 10% of O₂

