

# ROTATING OVEN / 2 DOORS

# ROMA

RIF. COD. **R2** MF3RG/C 180



**M.A.M. s.r.l.**  
Via C. Angiolieri, 28-34  
41123 Modena (Italy)  
Tel. +39 059 330219  
mam@mamforni.it  
P. IVA 02170610360



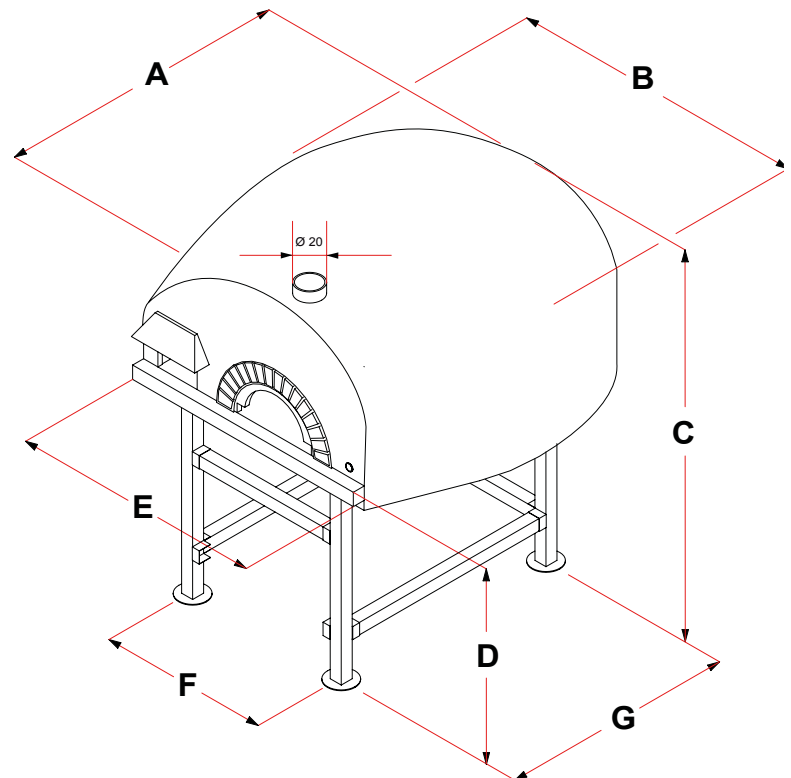
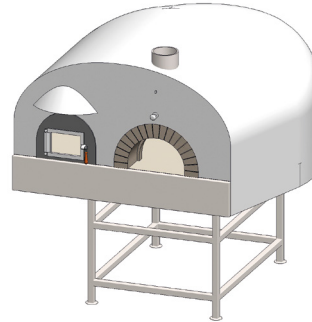
[www.mamforni.it](http://www.mamforni.it)

## TECHNICAL CHARACTERISTICS

| MODEL                            | UM         | Ø 135            |
|----------------------------------|------------|------------------|
| Height of the cooktop            | cm         | 120              |
| Rotating cooktop                 | cm         | Ø 135            |
| Door width                       | cm         | 54/68 / 82       |
| Power consumption                | Kw<br>Volt | 0,36<br>220      |
| Total weight (basic finish)      | Kg         | 2000             |
| Doors                            | n.         | 2                |
| Pizza capacity                   | n.         | 10 - 12          |
| Fire hand side                   |            | Left<br>or Right |
| Under-floor burner               |            | O                |
| Minimum flue dimensions: Ø 20 cm |            |                  |

| DIMENSIONS   | UM | Ø 135 |
|--|----|-------|
| A - DEPTH  | cm | 200   |
| B - WIDTH  | cm | 210   |
| C - HEIGHT   | cm | 200   |
| D  | cm | 120   |
| E  | cm | 179   |
| F  | cm | 109   |
| G  | cm | 149   |
| External band projection over the feet of the oven | cm | 12    |

| GAS THERMAL DATA        | UM   | Ø 135    |
|-------------------------|------|----------|
| Thermal power           | Kw   | 34       |
| LPG consumption         | Kg/h | 2,681    |
| Natural Gas consumption | m³/h | 3,598    |
| Smoke temperature       | °C   | 200      |
| Flue gas draught        | Pa   | 12       |
| Gas Connection          | in   | 1/2      |
| Type of Construction    |      | A1-B11BS |
| Electricity consumption | W    | 100      |



| WOOD DATA                                      |           |
|--|-----------|
| Minimum distance from the combustible material | Contact   |
| CO emission produced during combustion         | 0,48 %    |
| Combustion fume temperature                    | 305° C    |
| Thermic outlet used (heating)                  | 11,5 Kw   |
| Energy efficiency                              | 66,7 %    |
| Fuel typer                                     | Wood logs |
| CO** (mg/Nm³)                                  | 5848      |
| Powders** (mg/Nm³)                             | 248       |

MADE IN ITALY 

Prefabricated wood-fired oven  
1935/2004 - 2001/95/CE

\*\* values corrected to 10% of O<sub>2</sub>

