

# ROTATING OVEN / 1 DOOR

# ROMA

RIF. COD. **FRIB** MF2RG/C 100



**M.A.M. s.r.l.**  
Via C. Angiolieri, 28-34  
41123 Modena (Italy)  
Tel. +39 059 330219  
mam@mamforni.it  
P. IVA 02170610360



[www.mamforni.it](http://www.mamforni.it)

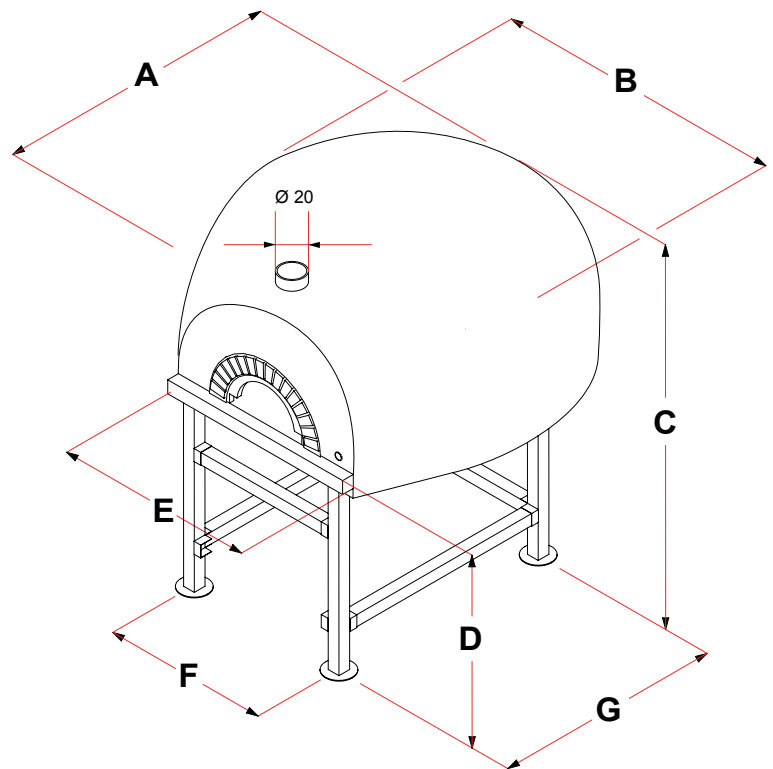
## TECHNICAL CHARACTERISTICS

MODEL	UM	Ø 90
Height of the cooktop	cm	120
Door width	cm	46
Power consumption	Kw Volt	0,36 220
Total weight (standard finish)	Kg	900
Pizza capacity	n.	4 - 5
Under-floor burner		O

Minimum flue dimensions: Ø 20 cm.



DIMENSIONS	UM	Ø 90
A - DEPTH	cm	150
B - WIDTH	cm	130
C - HEIGHT	cm	190
D	cm	120
E	cm	92
F	cm	89
G	cm	106
External band projection over the feet of the oven	cm	10



GAS THERMAL DATA	UM	Ø 90
Thermal power	Kw	17
LPG consumption	Kg/h	1,814
Natural Gas consumption	m³/h	1,164
Smoke temperature	°C	200
Flue gas draught	Pa	12
Gas Connection	in	1/2
Type of Construction		A1-B11BS
Electricity consumption	W	370

