

STATIC OVEN / 1 DOOR

MILANO

TRADITIONAL RIF. COD. T FL 160



M.A.M. s.r.l.
Via C. Angiolieri, 28-34
41123 Modena (Italy)
Tel. +39 059 330219
mam@mamforni.it
P. IVA 02170610360



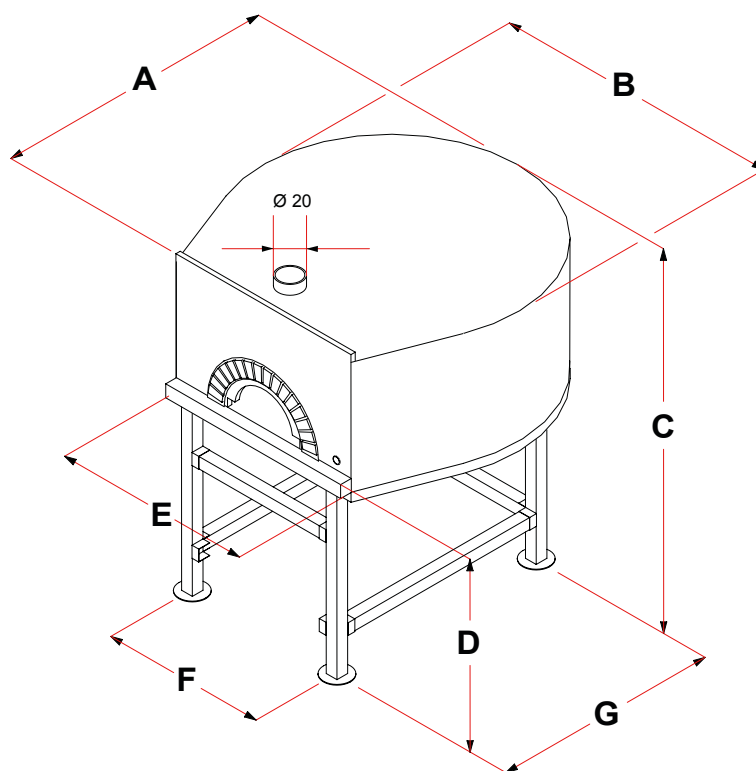
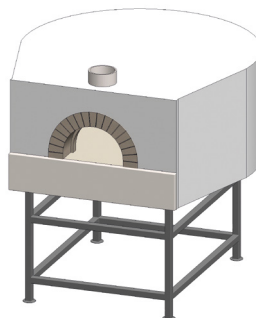
www.mamforni.it

TECHNICAL CHARACTERISTICS

| MODEL | UM | Ø 160 |
|-----------------------------|----|----------|
| Height of the cooktop | cm | 120 |
| Door width | cm | 54/68/82 |
| Total weight (basic finish) | Kg | 1900 |
| Pizza capacity | n. | 13 - 15 |

Minimum flue dimensions: Ø 20 cm

| DIMENSIONS | UM | Ø 160 |
|------------------------|----|-------|
| A - DEPTH | cm | 200 |
| B - WIDTH | cm | 195 |
| C - HEIGHT | cm | 200 |
| D | cm | 120 |
| E | cm | 137 |
| F | cm | 115 |
| G | cm | 149 |
| Headband foot overhang | cm | 9 |



WOOD DATA

| | |
|--|-----------|
| Minimum distance from the combustible material | Contact |
| CO emission produced during combustion | 0,48 % |
| Combustion fume temperature | 305° C |
| Thermic outlet used (heating) | 11,5 Kw |
| Energy efficiency | 66,7 % |
| Fuel typer | Wood logs |
| CO** (mg/Nm ³) | 5848 |
| Powders** (mg/Nm ³) | 248 |

MADE IN ITALY **CE** 05

Prefabricated wood-fired oven
1935/2004 -2001/95/CE

** values corrected to 10% of O₂

