

STATIC OVEN / 1 DOOR MILANO

TRADITIONAL RIF. COD. T FL 110



M.A.M. s.r.l.
Via C. Angiolieri, 28-34
41123 Modena (Italy)
Tel. +39 059 330219
mam@mamforni.it
P. IVA 02170610360



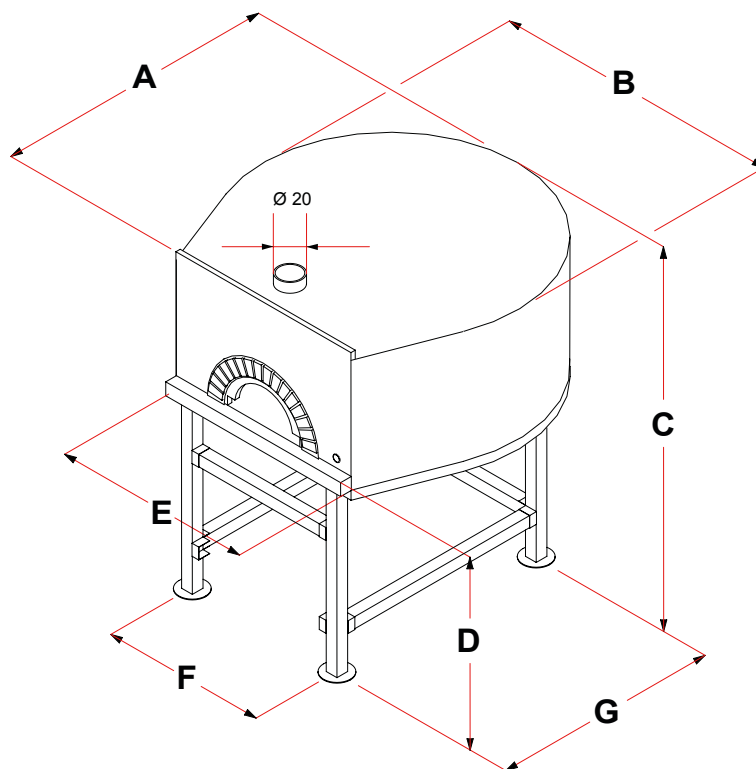
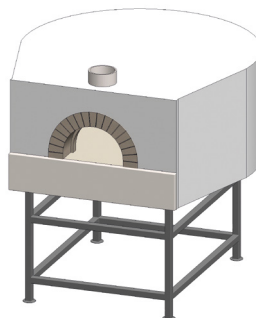
www.mamforni.it

TECHNICAL CHARACTERISTICS

MODEL	UM	Ø 110
Height of the cooktop	cm	120
Door width	cm	54
Total weight (basic finish)	Kg	1600
Pizza capacity	n.	5 - 6

Minimum flue dimensions: Ø 20 cm

DIMENSIONS	UM	Ø 110
A - DEPTH	cm	155
B - WIDTH	cm	150
C - HEIGHT	cm	200
D	cm	120
E	cm	110
F	cm	98
G	cm	105
Headband foot overhang	cm	5



WOOD DATA

Minimum distance from the combustible material	Contact
CO emission produced during combustion	0,48 %
Combustion fume temperature	305° C
Thermic outlet used (heating)	11,5 Kw
Energy efficiency	66,7 %
Fuel typer	Wood logs
CO** (mg/Nm ³)	5848
Powders** (mg/Nm ³)	248

MADE IN ITALY **CE** 05

Prefabricated wood-fired oven
1935/2004 - 2001/95/CE

** values corrected to 10% of O₂

