

ROTATING OVEN / 1 DOOR

MILANO

RIF. COD. **FRIB** MF3RG/C 140



M.A.M. s.r.l.
Via C. Angiolieri, 28-34
41123 Modena (Italy)
Tel. +39 059 330219
mam@mamforni.it
P. IVA 02170610360

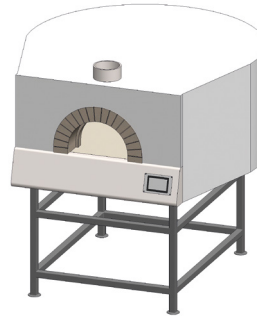


www.mamforni.it

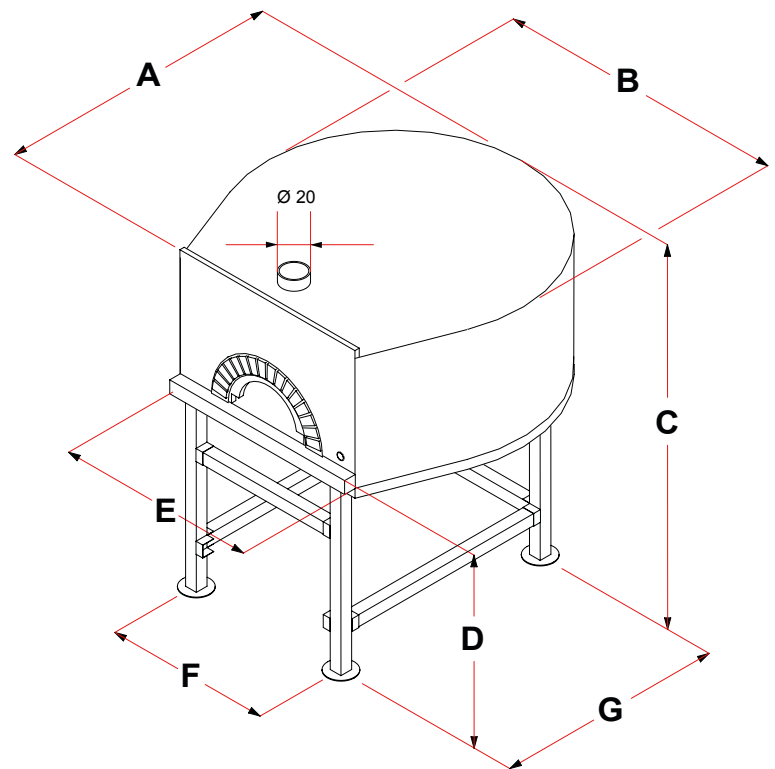
TECHNICAL CHARACTERISTICS

| MODEL | UM | Ø 115 |
|--------------------------------|------------|-------------|
| Height of the cooktop | cm | 120 |
| Door width | cm | 54 / 68 |
| Power consumption | Kw Volt | 0,36 220 |
| Total weight (standard finish) | Kg | 1500 |
| Pizza capacity | n. | 7 - 8 |
| Under-floor burner | | O |

Minimum flue dimensions: Ø 20 cm.



| DIMENSIONS | UM | Ø 115 |
|--|----|-------|
| A - DEPTH | cm | 177 |
| B - WIDTH | cm | 172 |
| C - HEIGHT | cm | 195 |
| D | cm | 120 |
| E | cm | 112 |
| F | cm | 94 |
| G | cm | 135 |
| External band projection over the feet of the oven | cm | 11 |



| GAS THERMAL DATA | UM | Ø 115 |
|-------------------------|------|----------|
| Thermal power | Kw | 34 |
| LPG consumption | Kg/h | 2,681 |
| Natural Gas consumption | m³/h | 3,598 |
| Smoke temperature | °C | 200 |
| Flue gas draught | Pa | 12 |
| Gas Connection | in | 1/2 |
| Type of Construction | | A1-B11BS |
| Electricity consumption | W | 370 |

